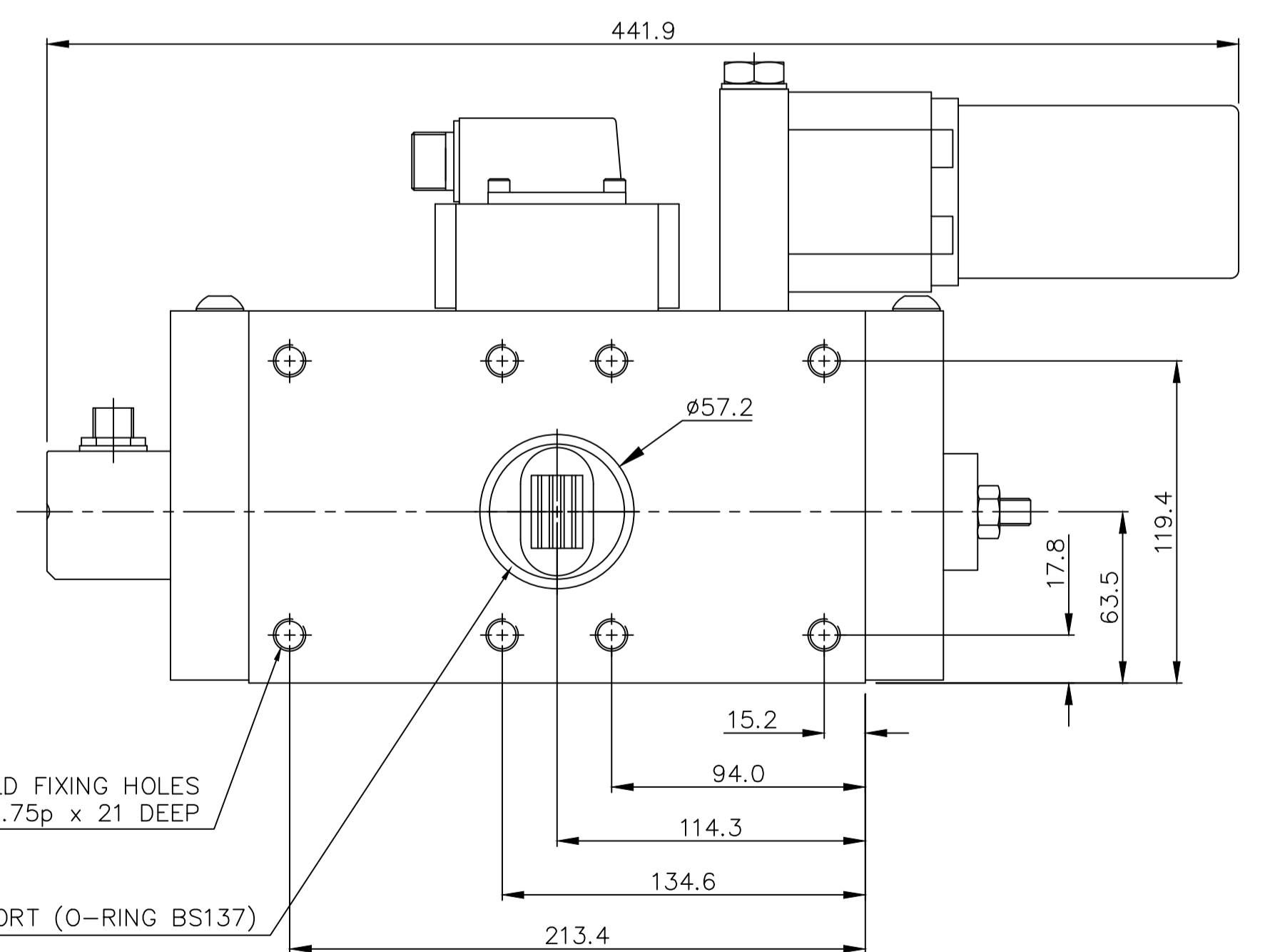
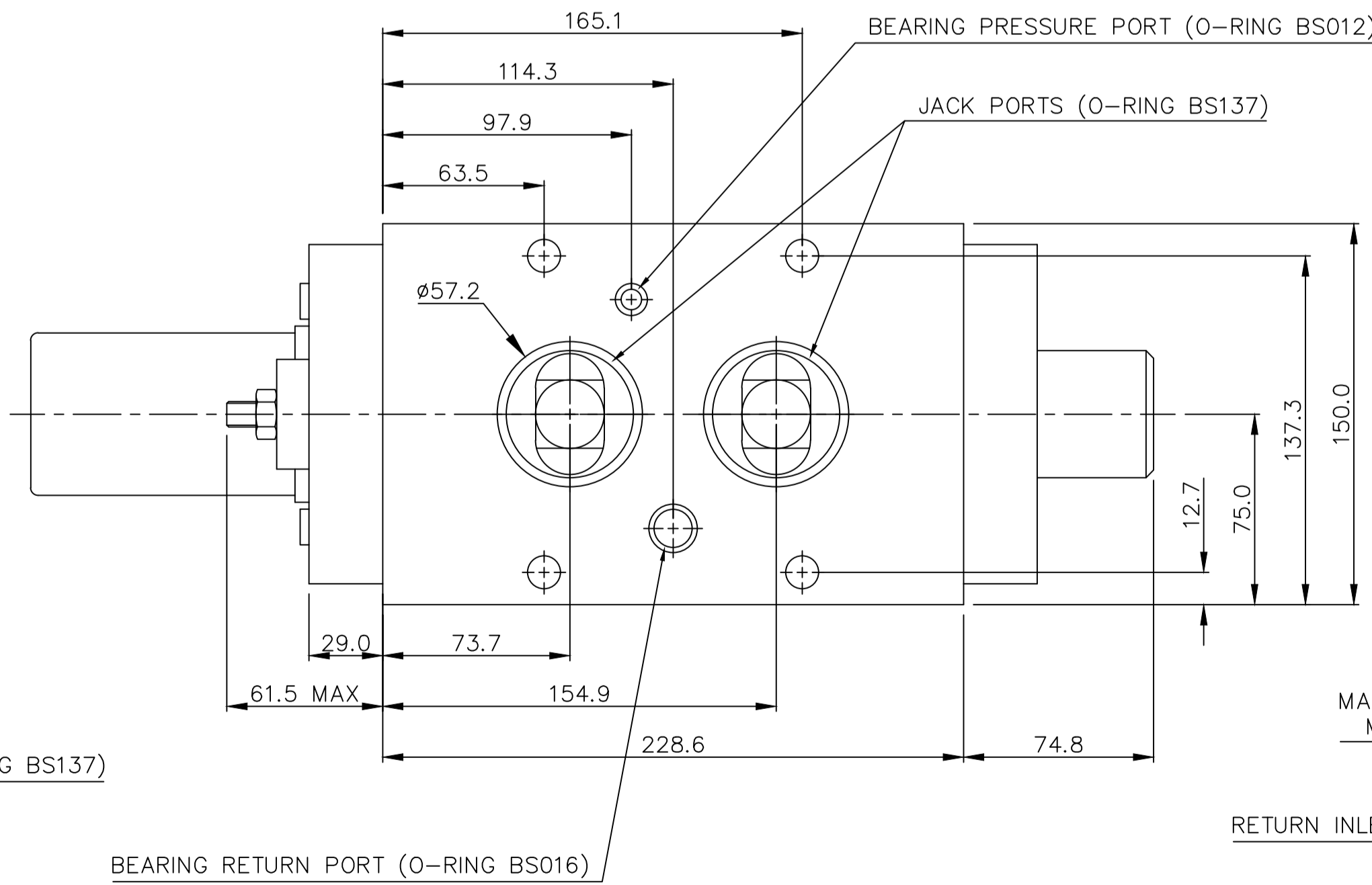
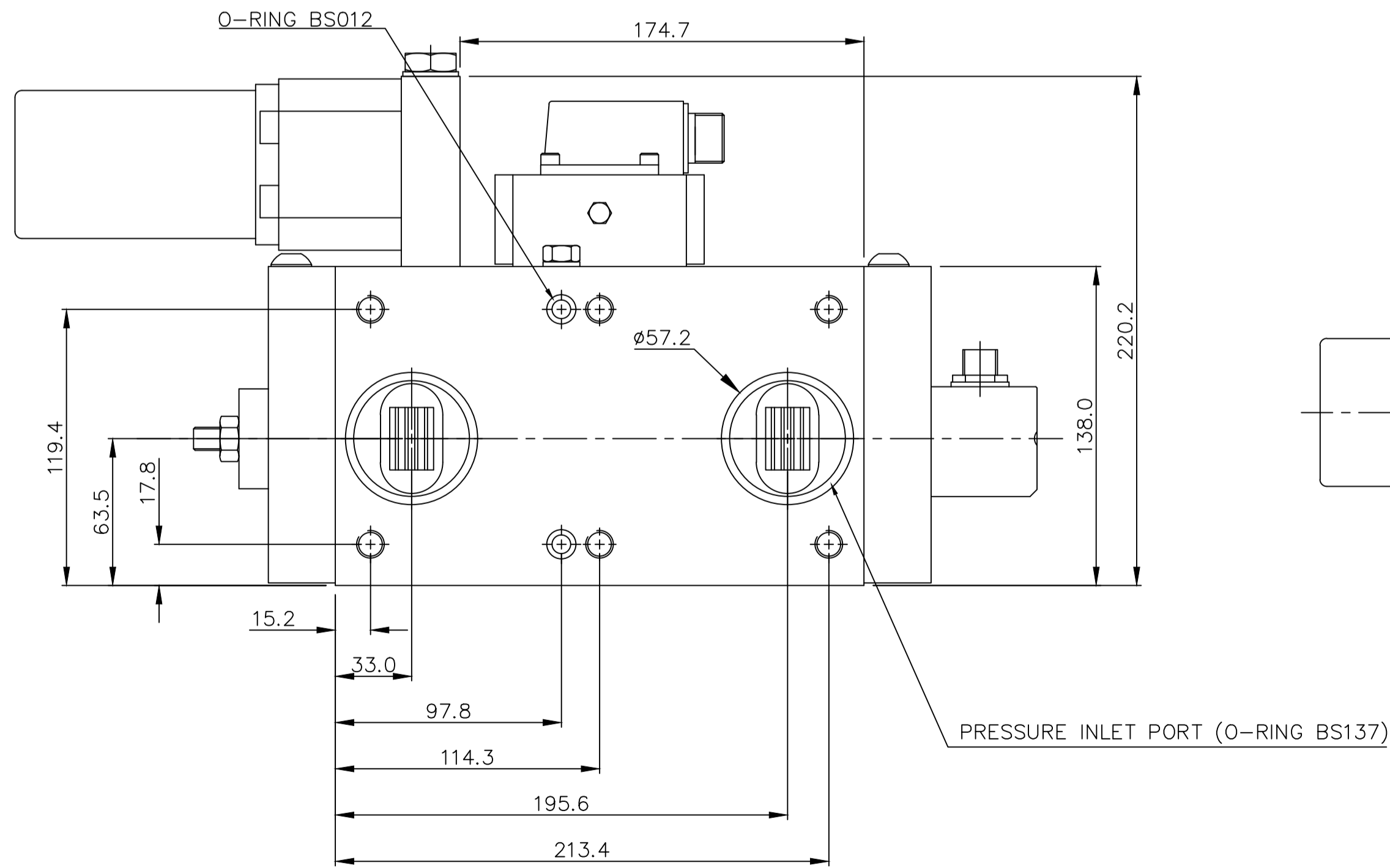
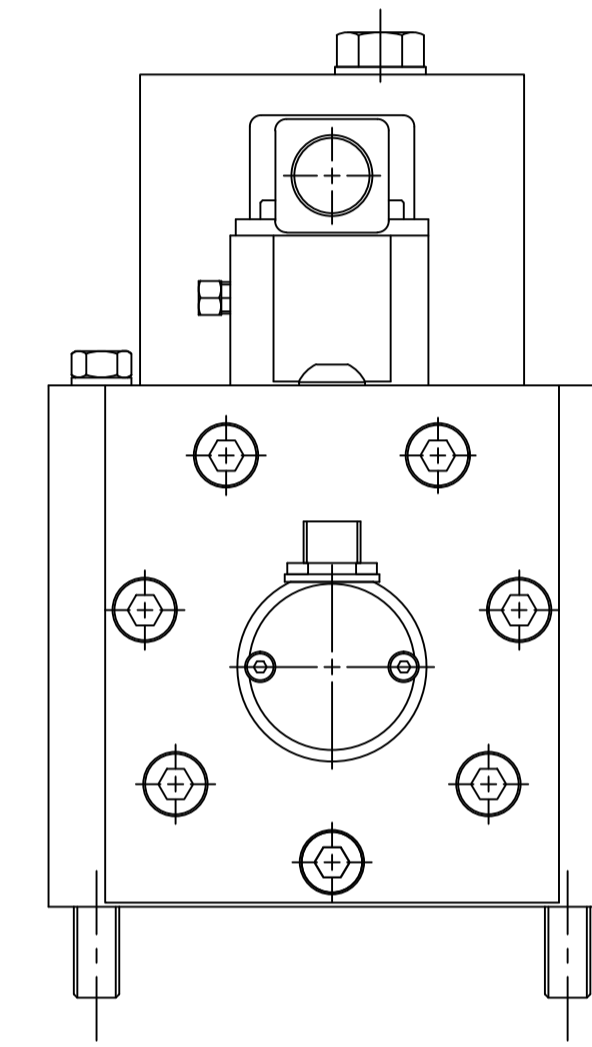
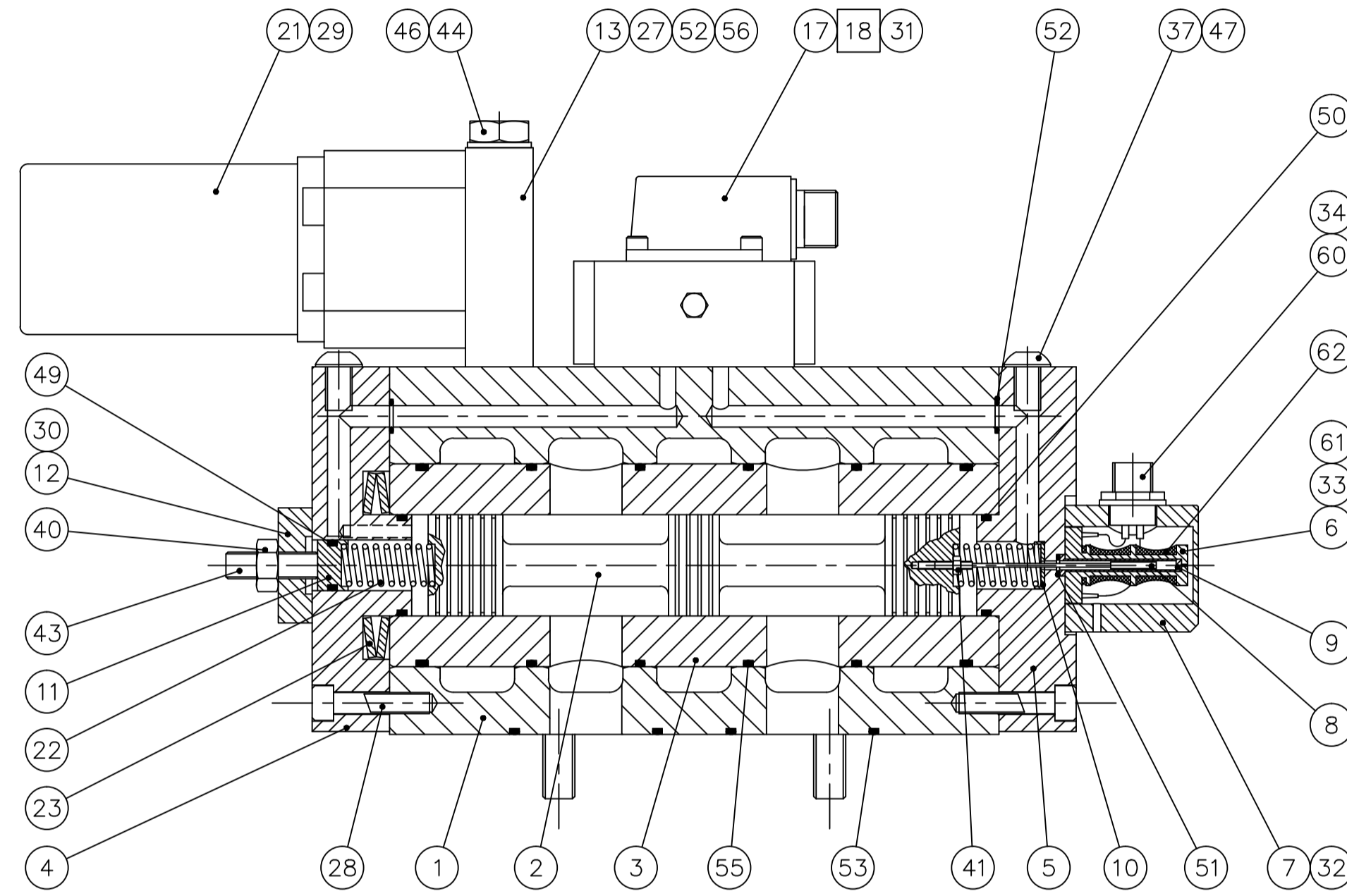
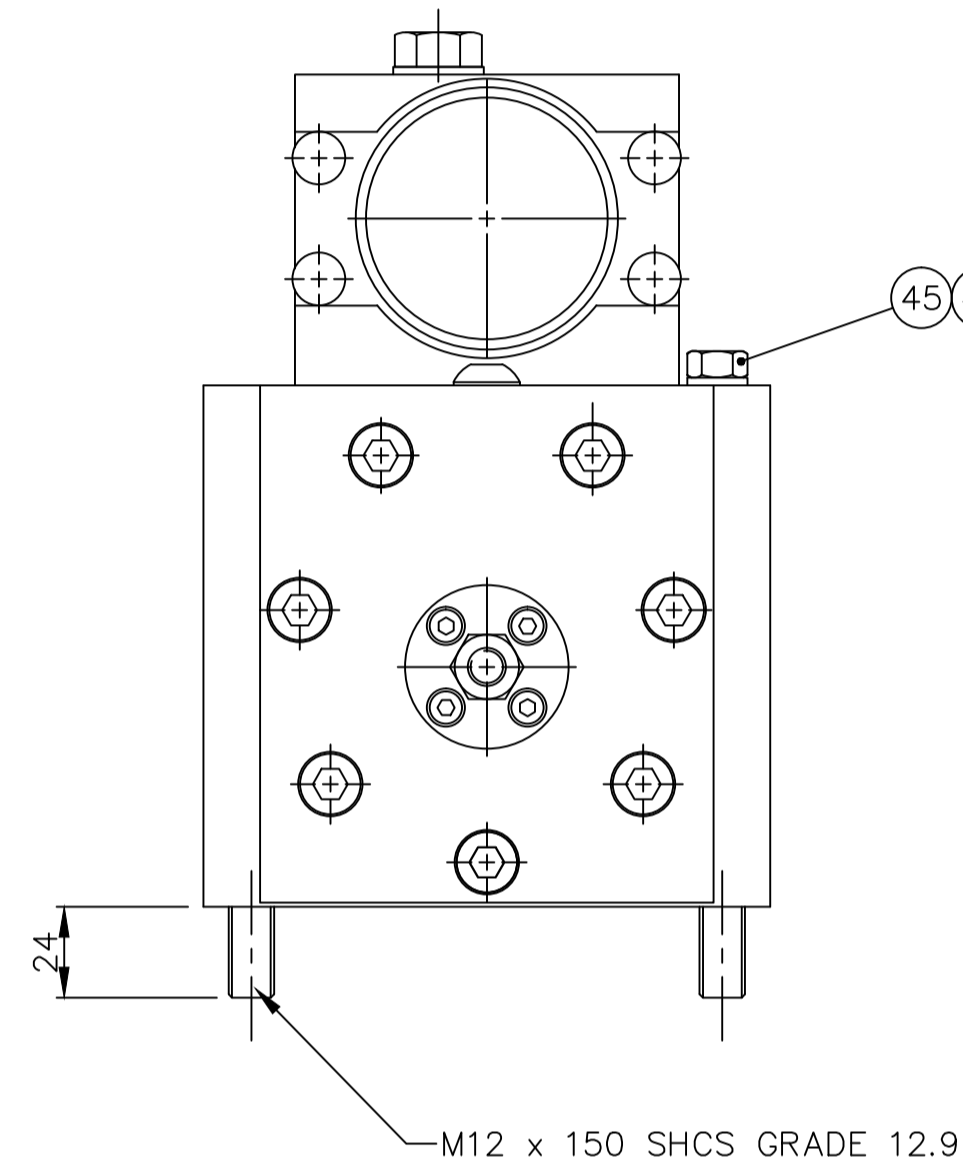
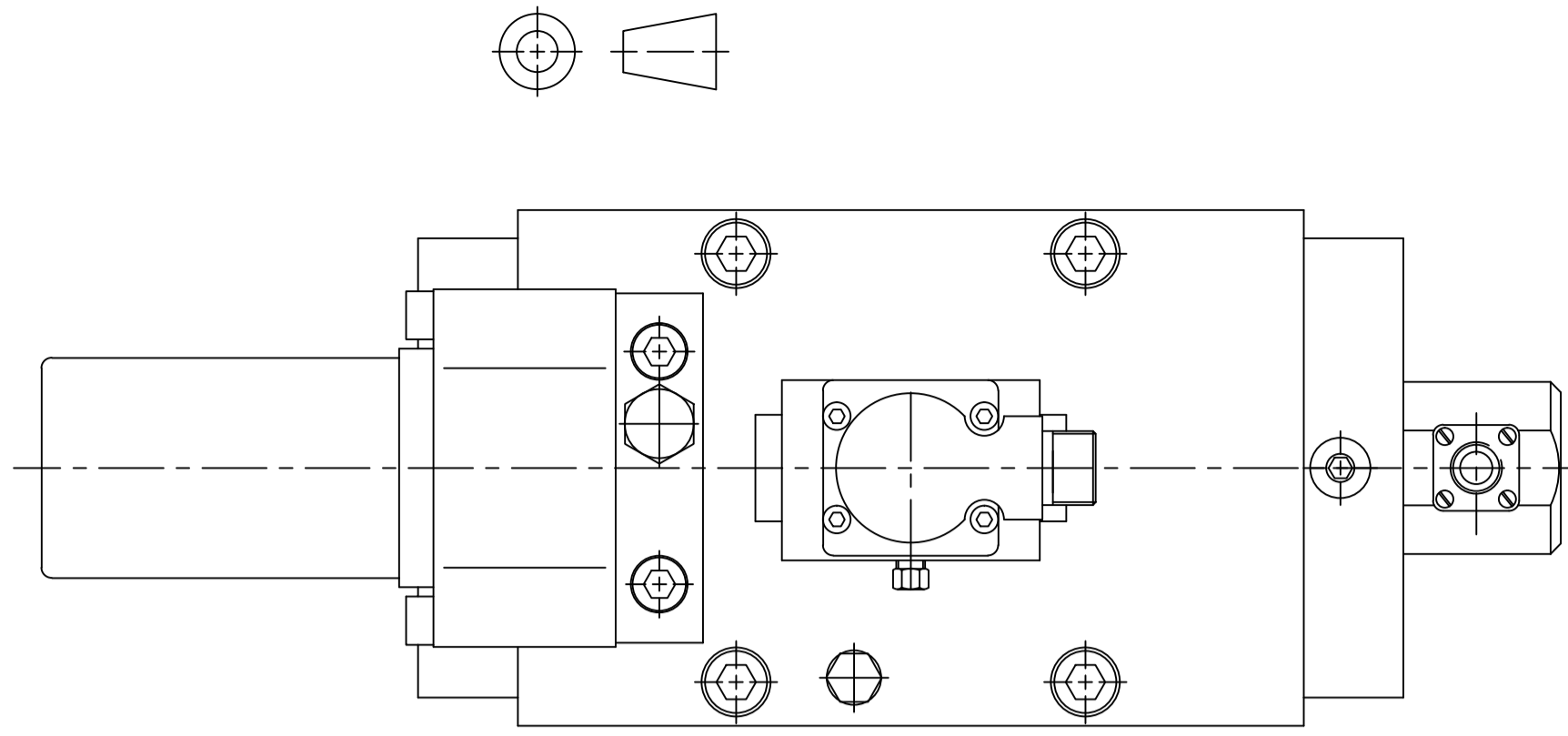
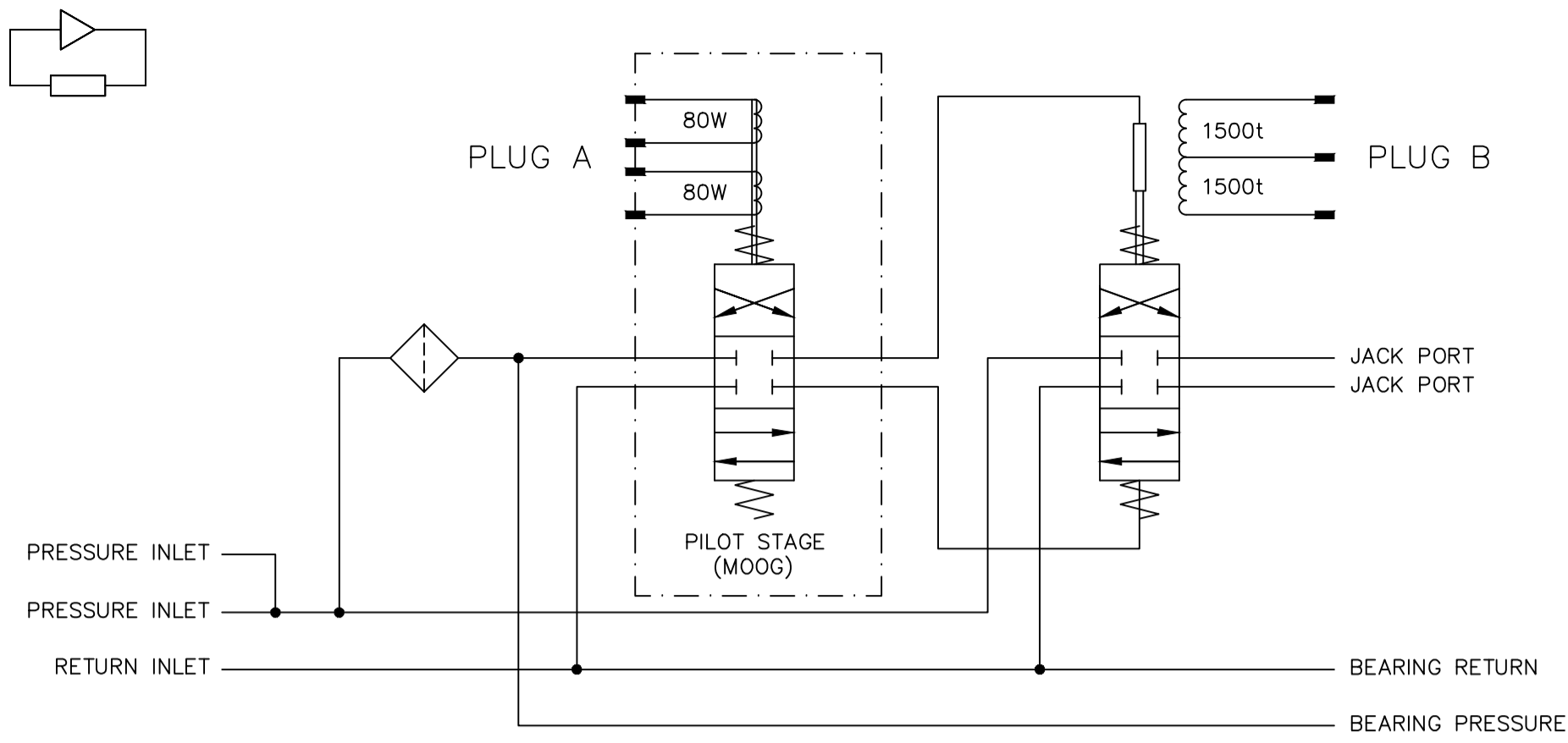


DO NOT SCALE

3rd ANGLE PROJECTION

IF IN DOUBT ASK

DRG. No. B 000-1693



GEOMETRIC CHARACTERISTIC SYMBOLS

Ⓜ maximum material condition	⊕ true position	⊥ perpendicularity
↗ runout	⊘ cylindricity	∥ parallelism
▭ flatness of a surface	⊙ concentricity	⊞ symmetry
— straightness of a line	⊞ symmetry	∠ angularity
⌒ profile of a surface	⊞ datum	○ roundness
⌒ profile of a line		

FEATURE CONTROL SYMBOL

total tolerance diameter datum reference

geometric characteristic symbol tolerance at mm. as required

Form positional tolerances & related datum are regardless of feature size unless specified.

ISSUE	DATE	REVISIONS	JOB No.	D.C.N.	DRN
1	08/01/98	REDRAWN TO ACAD FROM ORIGINAL 'A' DRAWING			J.F.C.
2	20/03/00	ADDED 44,46			A.D.Z
3	19/9/2003	BODY HEIGHT WAS 134.6: M12 BOLTS WERE 140 Long			R.B.FRY
4					
5					
6					
7					
8					
9					

All Dimensions in millimetres & refer to finished sizes
 Tolerances: -
 No decimal places ±0.4
 One decimal place ±0.1
 Angular ±0.5°
 Squareness 0.1 per 100mm
 hole depths to drill point
 Surface texture 3.2um
 Remove all burrs & break sharp edges rad 0.1/0.5 unless otherwise stated

SPOOL STROKE ±6.35mm

SERVOTEST © 2003		
TITLE SV1200 (SQUARE SLEEVE PORTS)		
MATERIAL		FINISH
DATE 08/01/98	SCALE 1/2	DRG. No.
DRN. J.F.Connor	CHECKED	B 000-1693