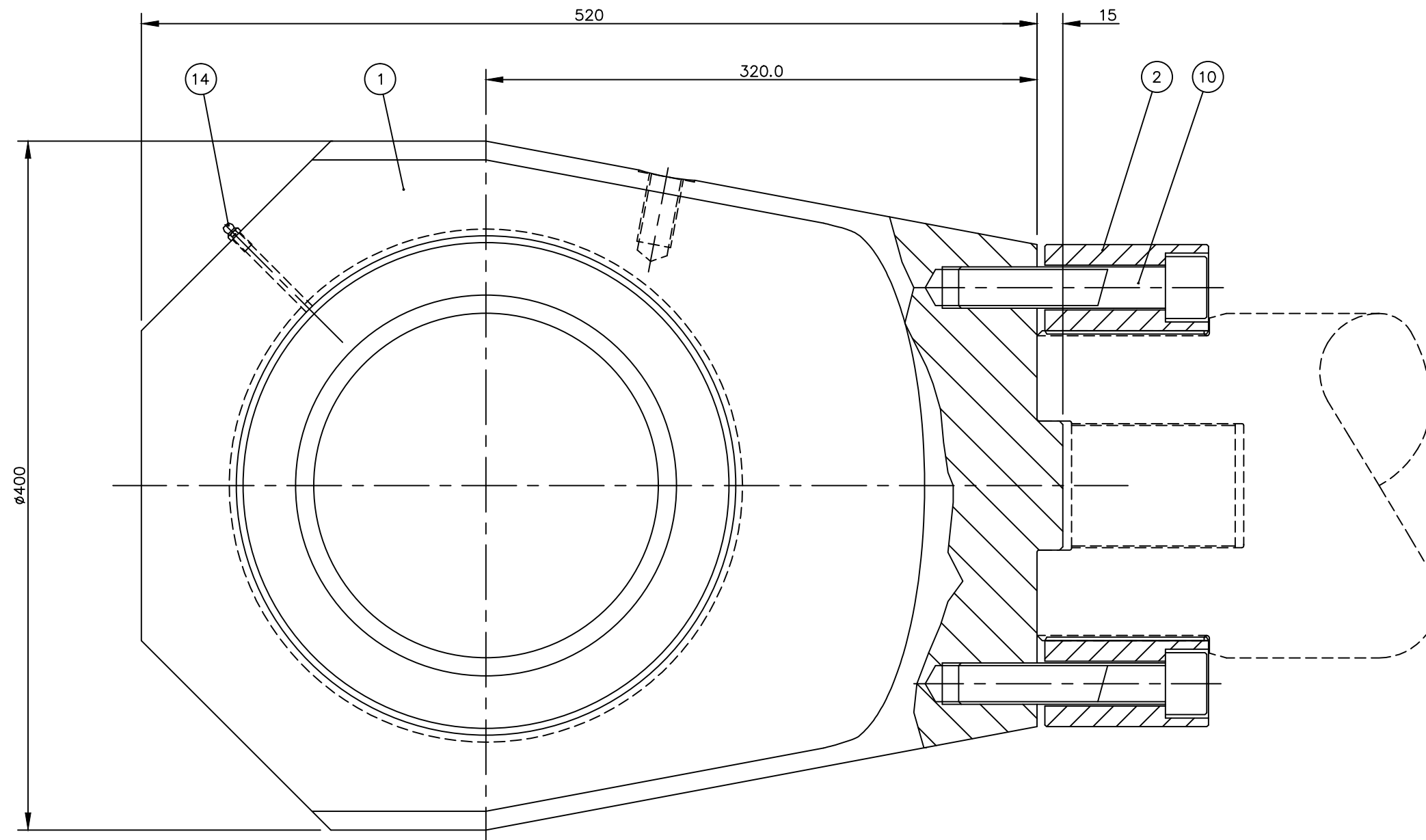
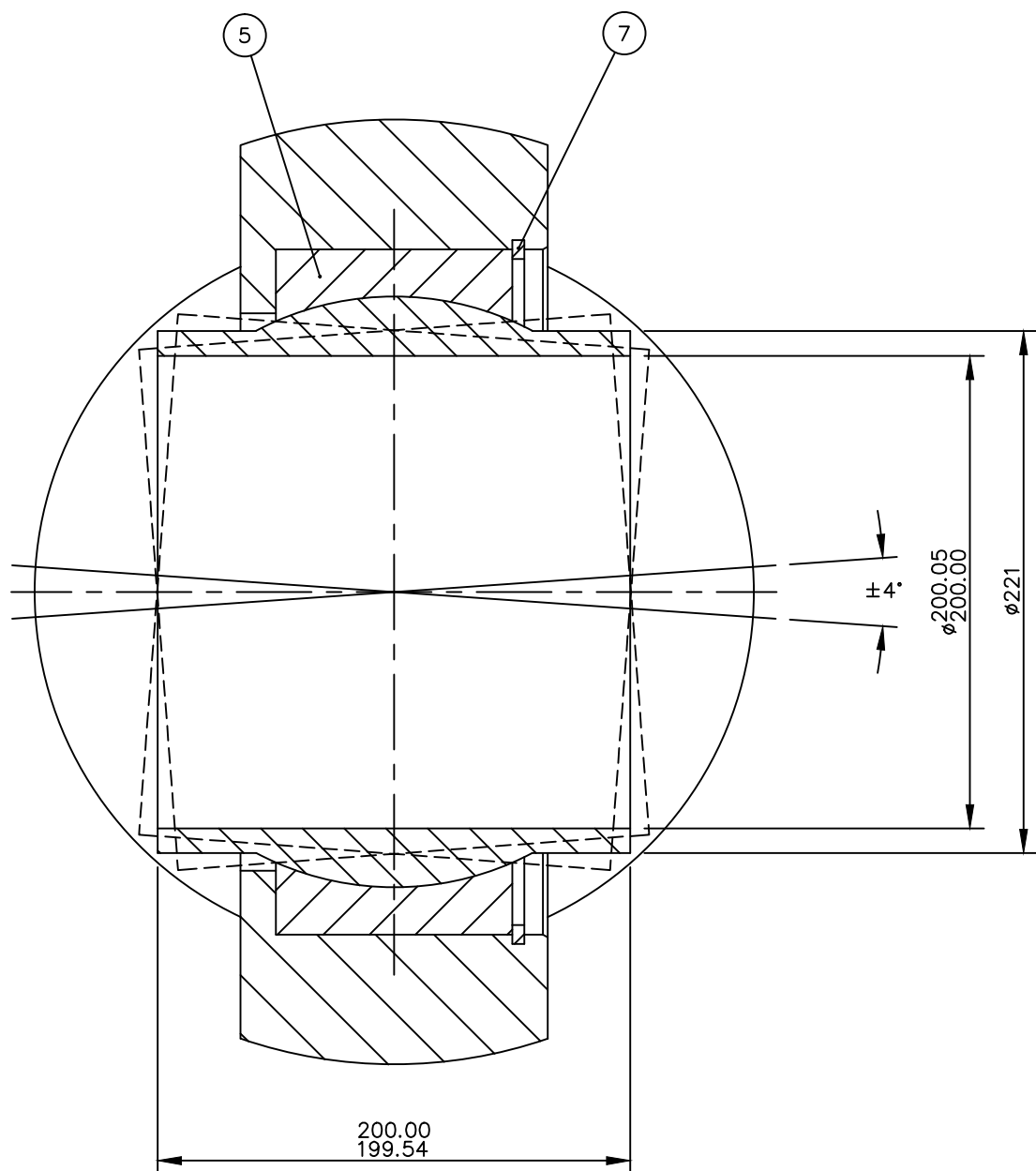
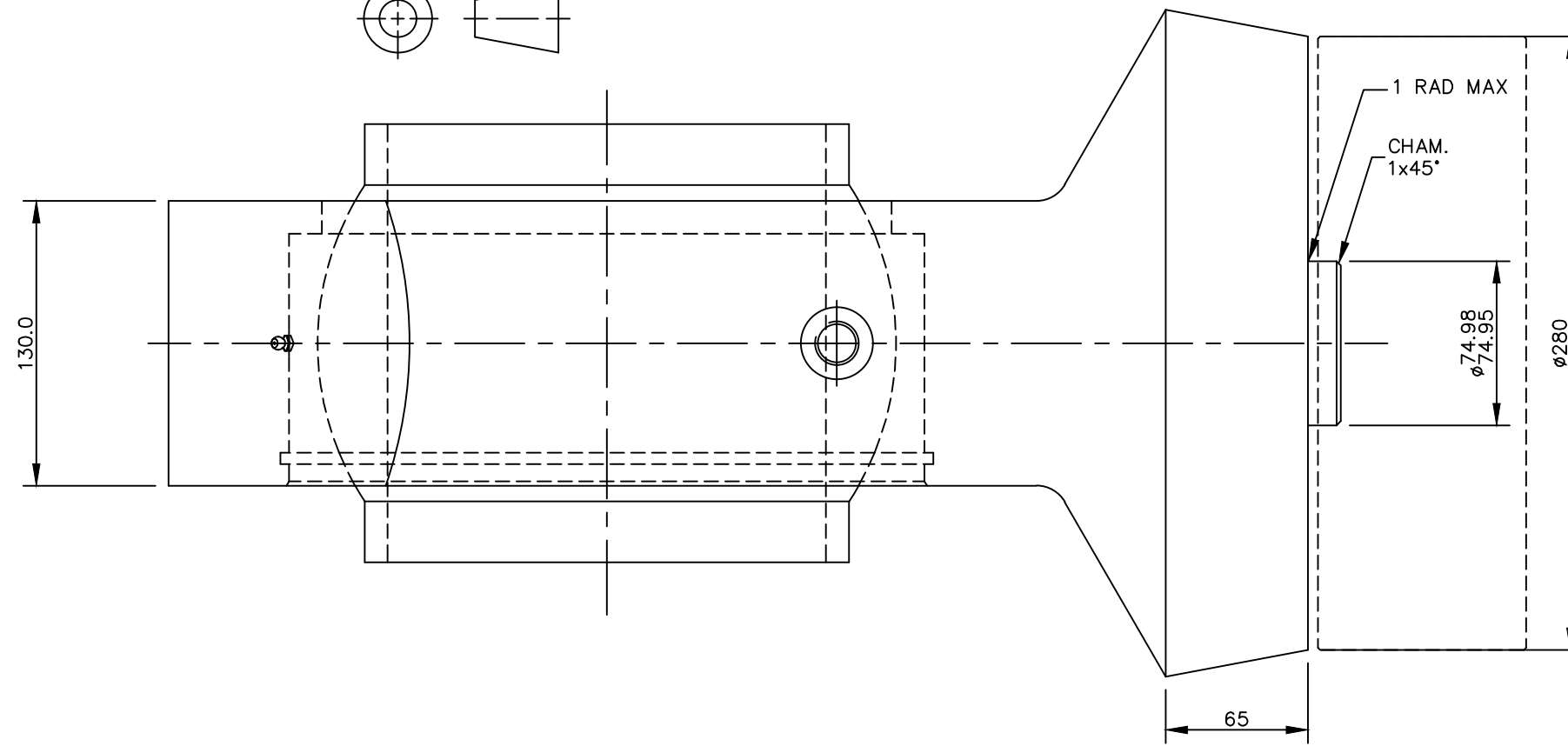
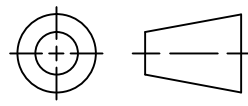
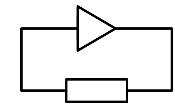


DO NOT SCALE

3rd ANGLE PROJECTION

IF IN DOUBT ASK

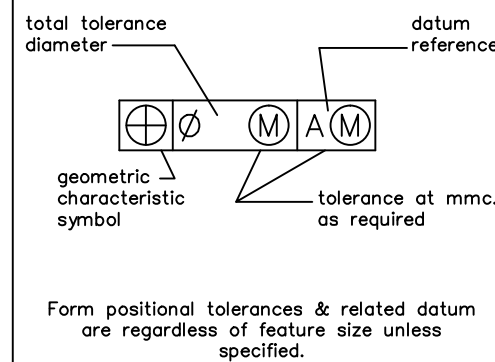


APPROX. WEIGHT:180KG

GEOMETRIC CHARACTERISTIC SYMBOLS

- (M) maximum material condition
- runout
- flatness of a surface
- straightness of a line
- profile of a surface
- profile of a line
- ⊕ true position
- ∅ cylindricity
- basic dimension
- datum
- ⊥ perpendicularity
- ∥ parallelism
- ◎ concentricity
- ≡ symmetry
- ∠ angularity
- roundness

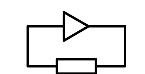
FEATURE CONTROL SYMBOL



ISSUE	DATE	REVISIONS	JOB No:	D.C.N.	DRN
1	23/07/03	ORIGINAL ISSUE	61216		R.P.B.
2					
3					
4					
5					
6					
7					
8					
9					

All Dimensions in millimetres & refer to finished sizes
 Tolerances: -
 No decimal places ±0.4
 One decimal place ±0.1
 Angular ±0.5°
 Squareness 0.1 per 100mm
 hole depths to drill point
 Surface texture 3.2um
 Remove all burrs & break sharp edges rad 0.1/0.5 unless otherwise stated

SERVOTEST © 2003



TITLE
BEARING ASSY SAB200-2000KN (FR)

MATERIAL	FINISH
DATE 23/07/03	SCALE 1:3
DRN. R.P.BAILEY	CHECKED
	DRG. No. C 200-9507

A

B

C