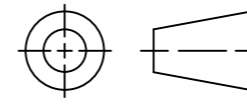
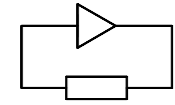


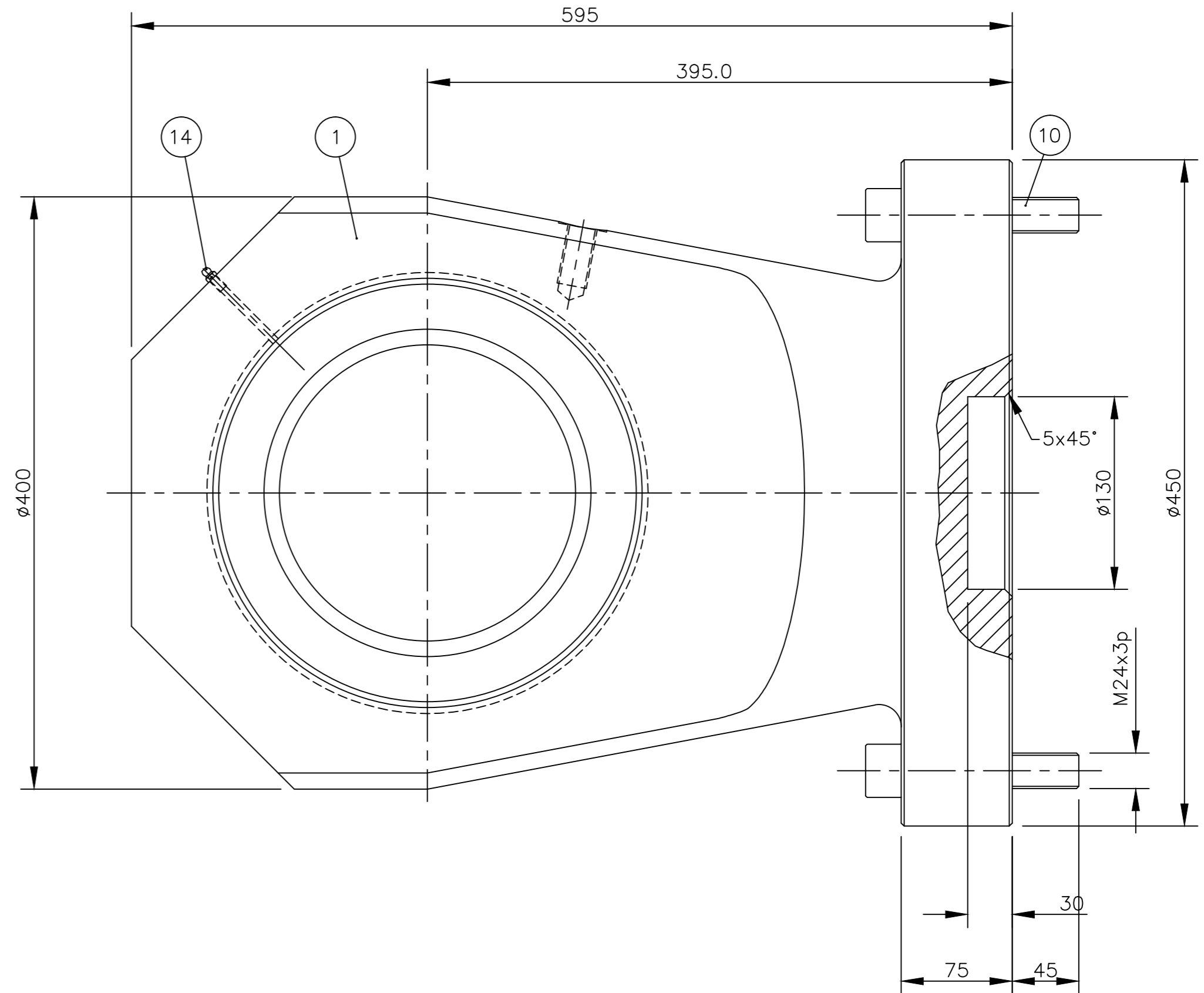
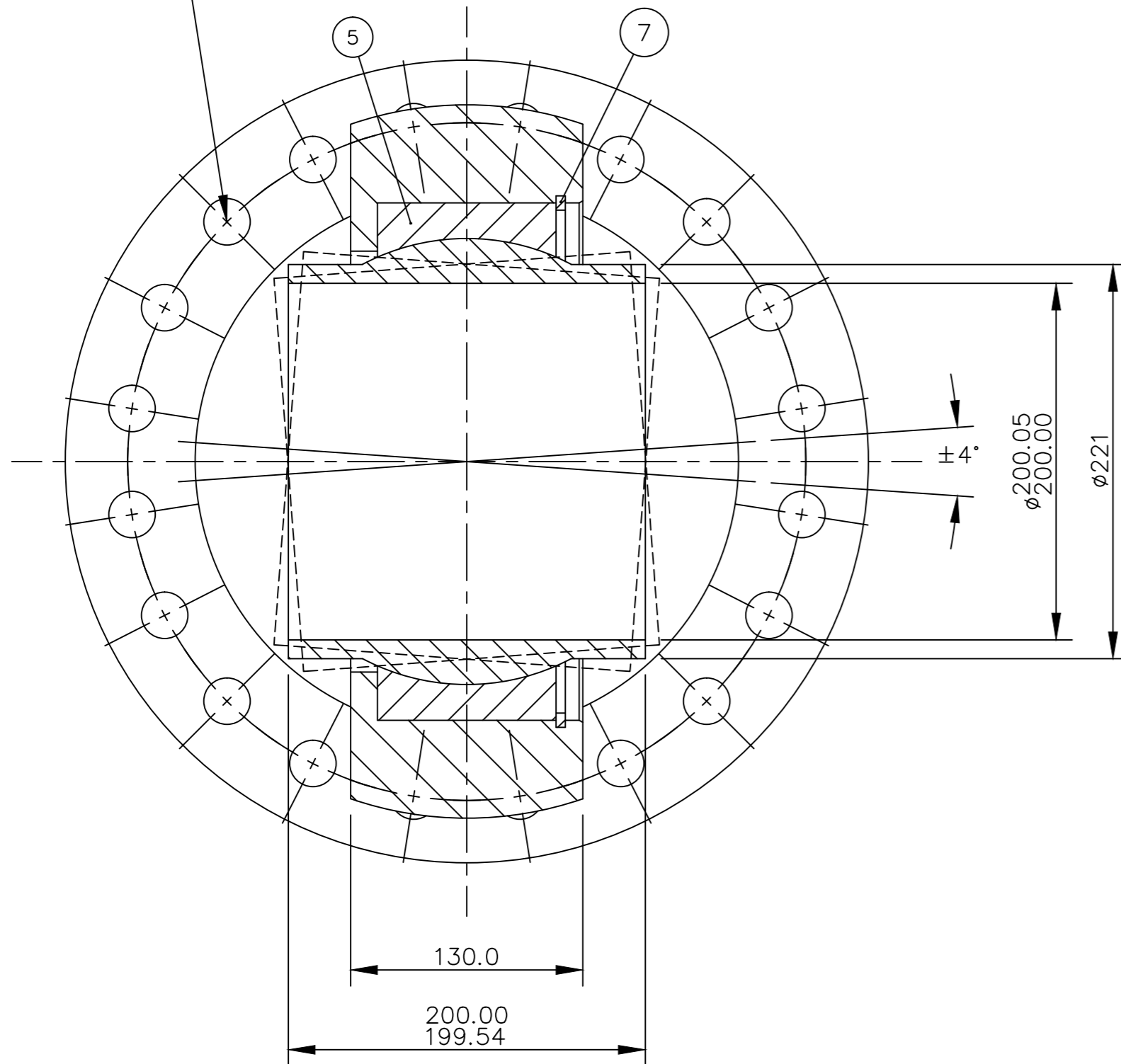
DO NOT SCALE

3rd ANGLE PROJECTION

IF IN DOUBT ASK



20 HOLES $\phi 26.0$ THRO'.
EQUISPACED ON 380.0 P.C.D.

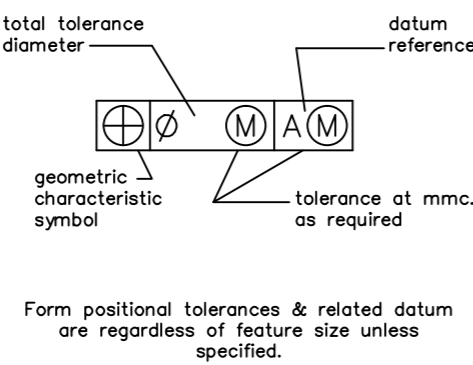


APPROX. WEIGHT:240KG

GEOMETRIC CHARACTERISTIC SYMBOLS

- (M) maximum material condition
- runout
- flatness of a surface
- straightness of a line
- profile of a surface
- profile of a line
- true position
- cylindricity
- basic dimension
- datum
- perpendicularity
- parallelism
- concentricity
- symmetry
- angularity
- roundness

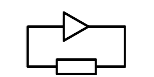
FEATURE CONTROL SYMBOL



ISSUE	DATE	REVISIONS	JOB No:	D.C.N.	DRN
1	23/07/03	ORIGINAL ISSUE	61216		R.P.B.
2					
3					
4					
5					
6					
7					
8					
9					

All Dimensions in millimetres & refer to finished sizes
 Tolerances:-
 No decimal places ± 0.4
 One decimal place ± 0.1
 Angular $\pm 0.5^\circ$
 Squareness 0.1 per 100mm
 hole depths to drill point
 Surface texture 3.2um
 Remove all burrs & break sharp edges rad 0.1/0.5 unless otherwise stated

SERVOTEST © 2003



TITLE
BEARING ASSY SAB200-2000KN (RR)

MATERIAL	FINISH
DATE 23/07/03	SCALE 1:3
DRN. R.P.BAILEY	CHECKED
	DRG. No. C 200-9508

A

B

C