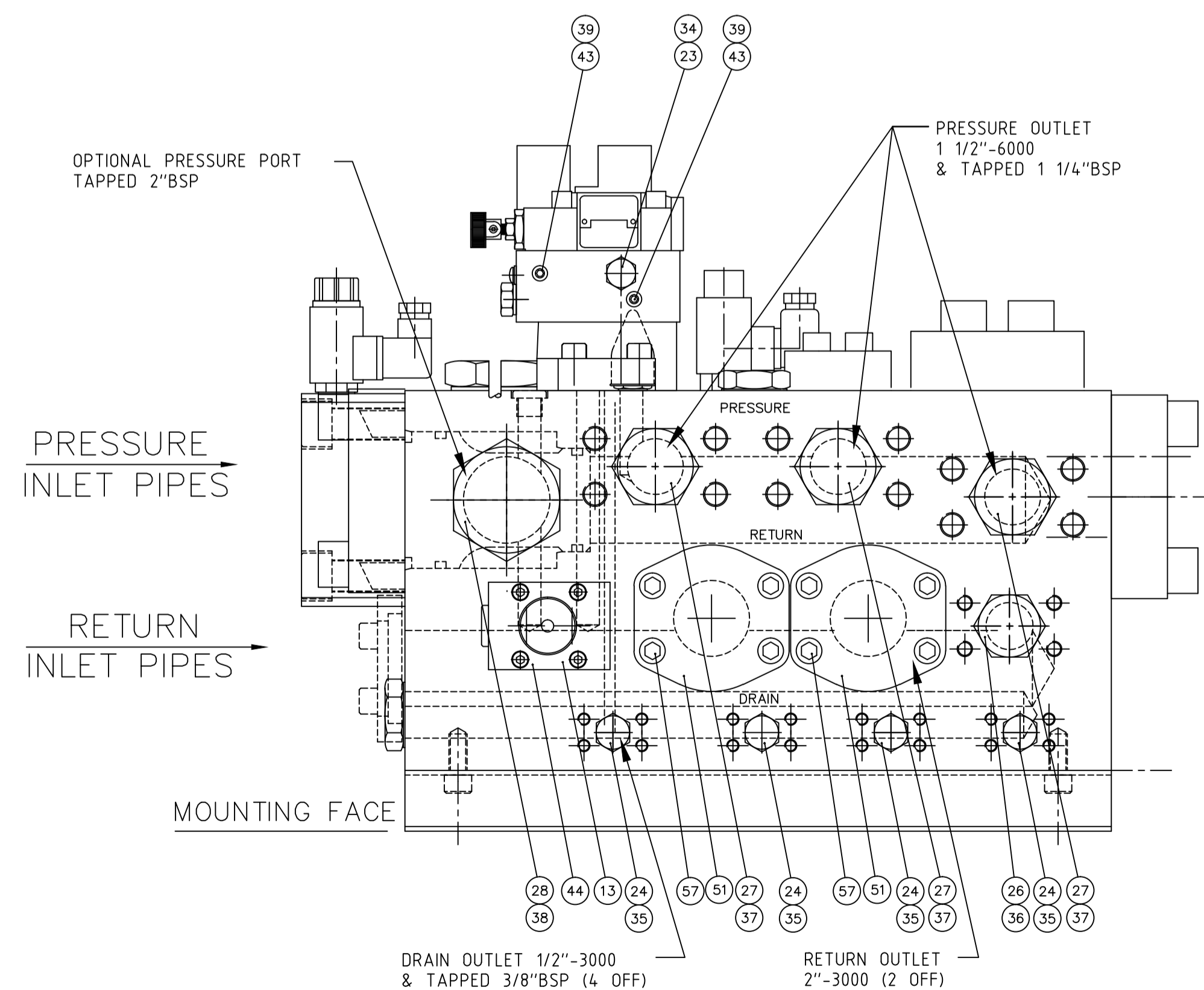
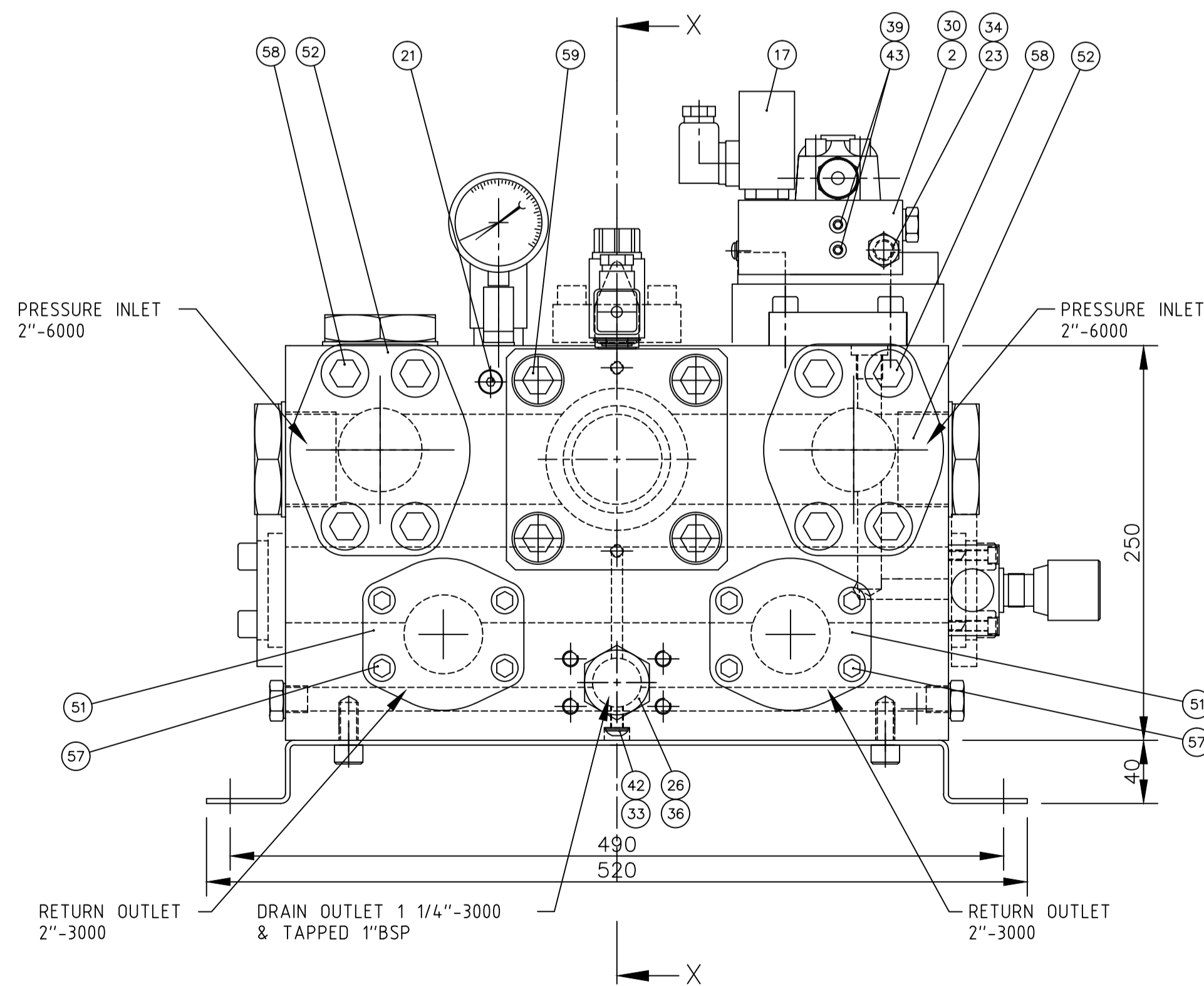
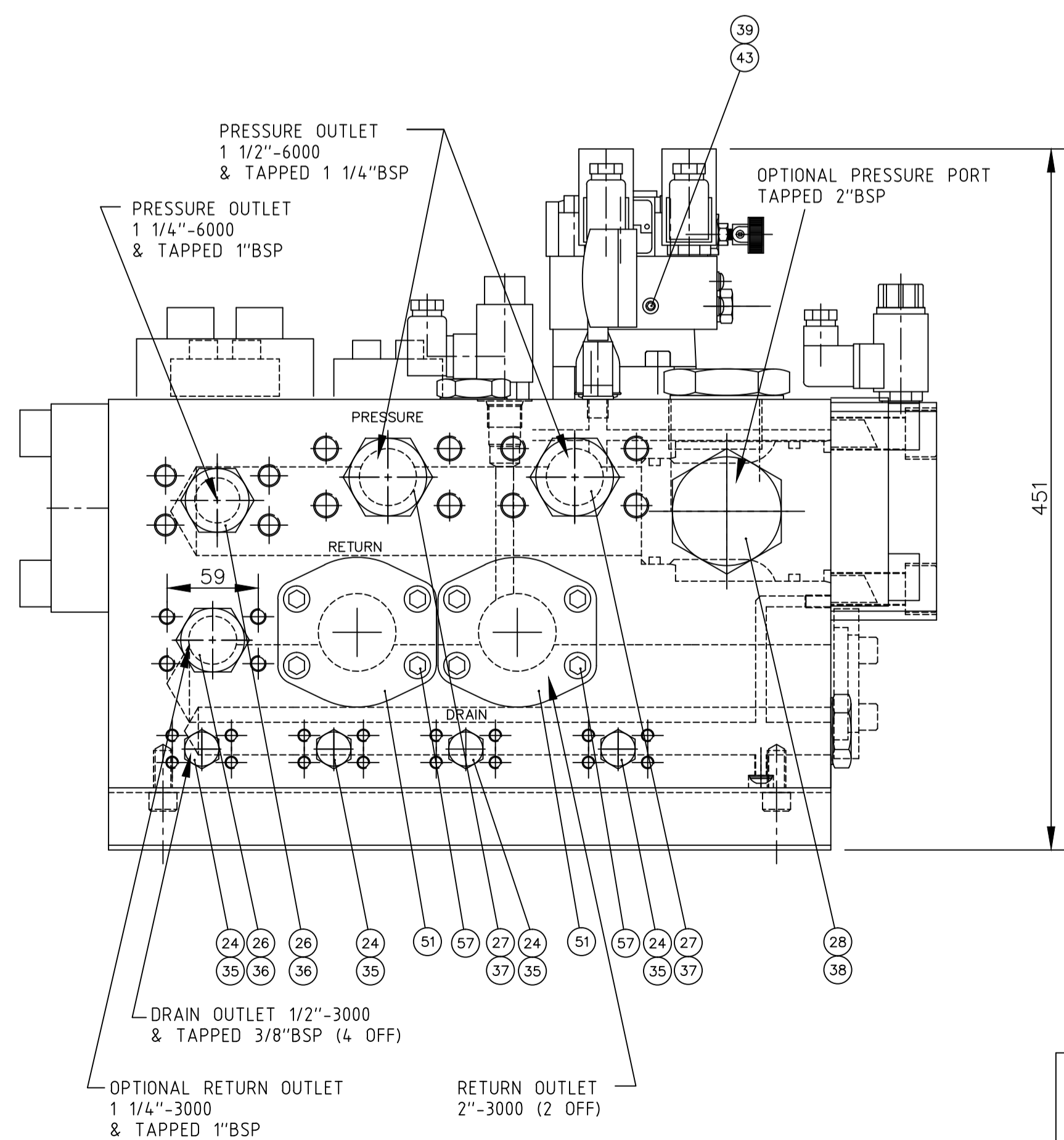


NOTE: - ALL FLANGES UNC BOLTS



GEOMETRIC CHARACTERISTIC SYMBOLS

(M) maximum material condition	⊕ true position	⊥ perpendicularity
/ runout	⊘ cylindricity	∥ parallelism
▭ flatness of a surface	□ basic dimension	◎ concentricity
— straightness of a line	◻ datum	≡ symmetry
⌒ profile of a surface	◁ angularity	○ roundness
⌒ profile of a line		

FEATURE CONTROL SYMBOL

total tolerance diameter

datum reference

geometric characteristic symbol

tolerance at mm. as required

Form positional tolerances & related datum are regardless of feature size unless specified.

ISSUE	DATE	REVISIONS	JOB No.	D.C.N.	DRN
1	25-4-03	ORIGINAL	61216		T.RINTS
2					
3					
4					
5					
6					
7					
8					
9					

All Dimensions in millimetres & refer to finished sizes
 Tolerances: -
 No decimal places ±0.4
 One decimal place ±0.1
 Angular ±0.5°
 Squareness 0.1 per 100mm
 hole depths to drill point
 Surface texture 3.2um
 Remove all burrs & break sharp edges rad 0.1/0.5 unless otherwise stated

SERVOTEST © 2003		
TITLE MANIFOLD 1500L/Min SOFT START		
MATERIAL		FINISH
DATE 25-4-03	SCALE 1:3	DRG. No.
DRN. T.RINTS AUTHORIZED		B 550-9104